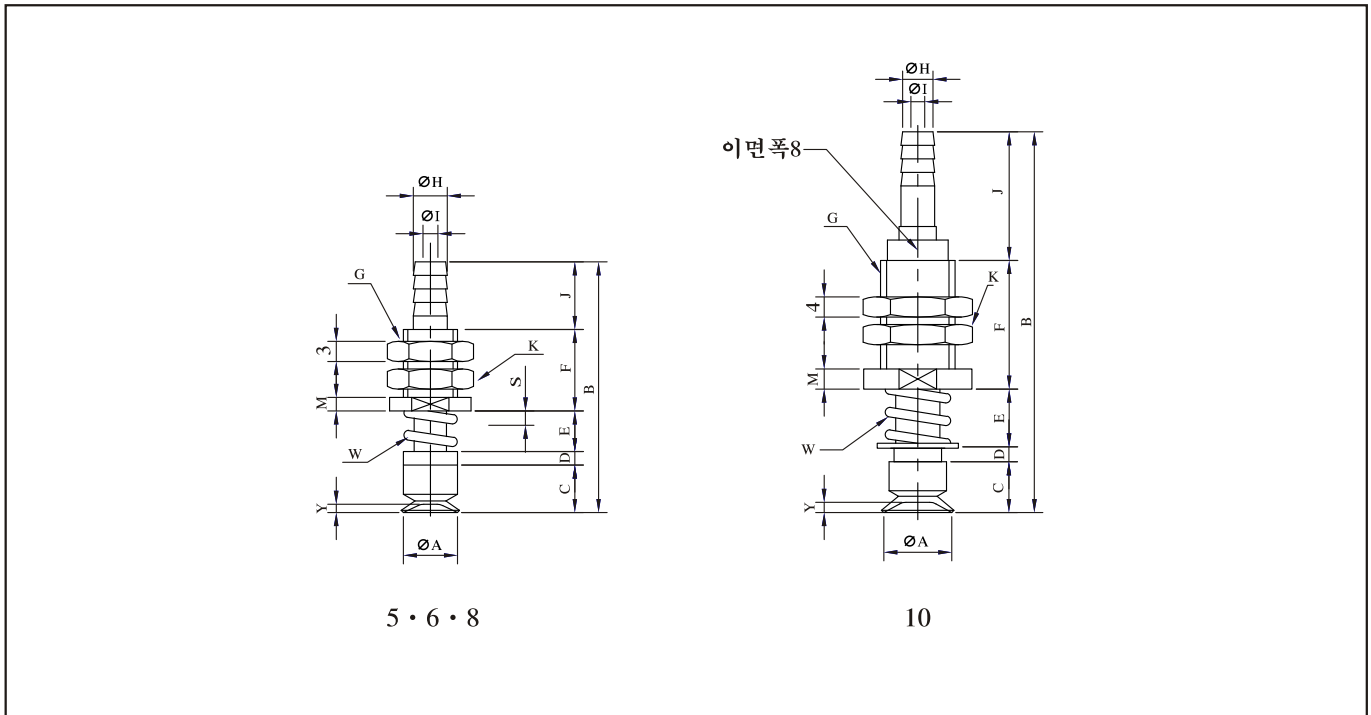
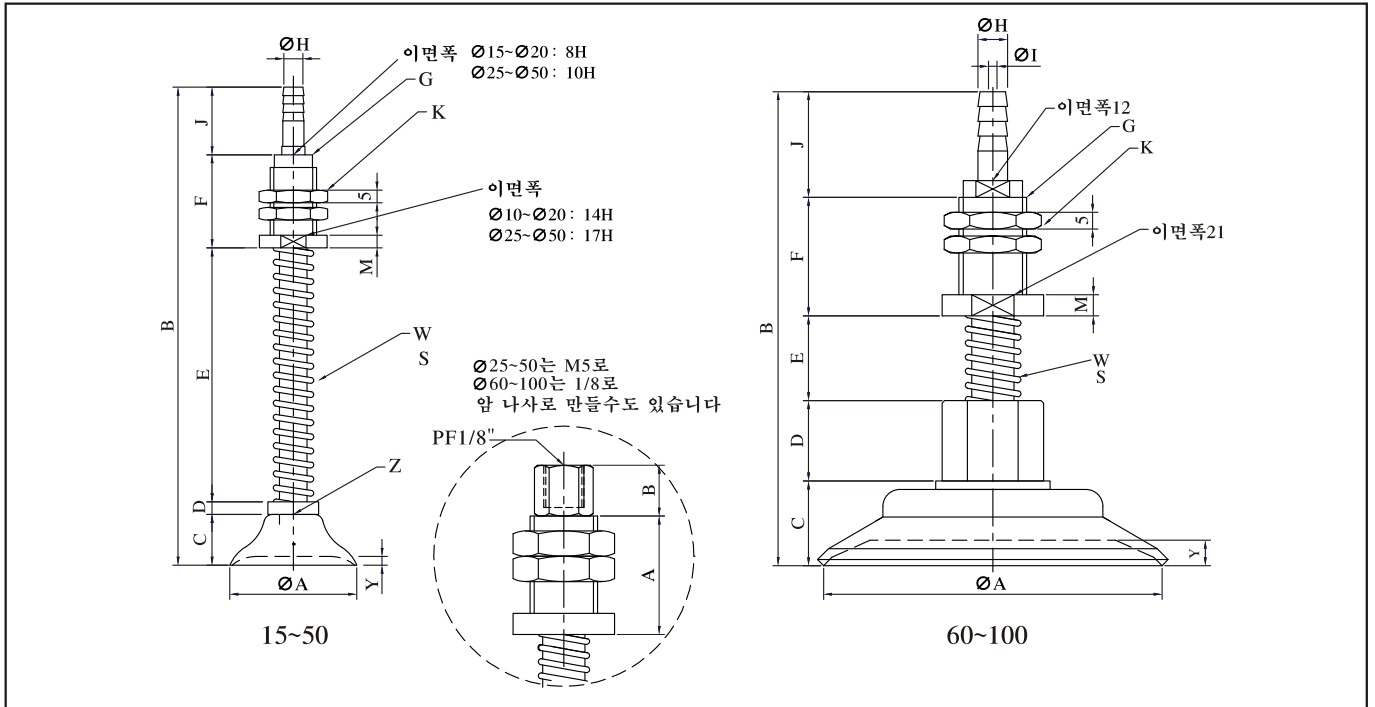


PFIS Series



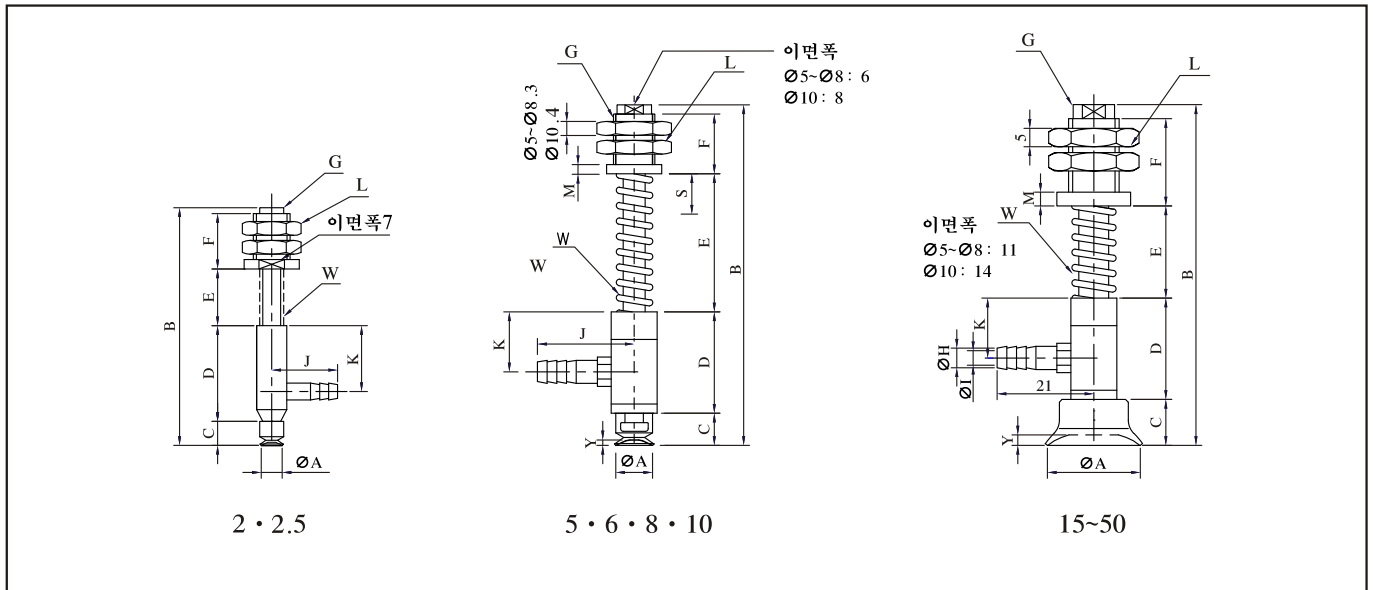
PFIS	A	B	C	D	E	F	G	H	I	J	K	Y	Z	질량(g)
PFIS-5-3	5	37.5	6.5	2	6	13	M9-P1	5	2.2	10	12H	0.8		13
PFIS-5-10	5	51.5	6.5	2	20	13	M9-P1	5	2.2	10	12H	0.8		16
PFIS-5-15	5	61.5	6.5	2	30	13	M9-P1	5	2.2	10	12H	0.8		17
PFIS-5-25	5	81.5	6.5	2	50	13	M9-P1	5	2.2	10	12H	0.8		21
PFIS-6-3	6	37.5	6.5	2	6	13	M9-P1	5	2.2	10	12H	0.8		13
PFIS-6-10	6	51.5	6.5	2	20	13	M9-P1	5	2.2	10	12H	0.8		16
PFIS-6-15	6	61.5	6.5	2	30	13	M9-P1	5	2.2	10	12H	0.8		17
PFIS-6-25	6	81.5	6.5	2	50	13	M9-P1	5	2.2	10	12H	0.8		21
PFIS-8-3	8	38	7	2	6	13	M9-P1	5	2.2	10	12H	1.2		13
PFIS-8-10	8	52	7	2	20	13	M9-P1	5	2.2	10	12H	1.2		16
PFIS-8-15	8	62	7	2	30	13	M9-P1	5	2.2	10	12H	1.2		17
PFIS-8-25	8	82	7	2	50	13	M9-P1	5	2.2	10	12H	1.2		21
PFIS-10-4	10	56.5	7.5	3	8	19	M11-P1	5	3	19	14H	1.5		26
PFIS-10-10	10	68.5	7.5	3	20	19	M11-P1	5	3	19	14H	1.5		31
PFIS-10-20	10	88.5	7.5	3	40	19	M11-P1	5	3	19	14H	1.5		34
PFIS-10-30	10	108.5	7.5	3	60	19	M11-P1	5	3	19	14H	1.5		41
PFIS-15-4	15	54	8	3	8	19	M11-P1	5	3	16	14H	1.9	M5	28
PFIS-15-10	15	66	8	3	20	19	M11-P1	5	3	16	14H	1.9	M5	31
PFIS-15-20	15	86	8	3	40	19	M11-P1	5	3	16	14H	1.9	M5	36
PFIS-15-30	15	106	8	3	60	19	M11-P1	5	3	16	14H	1.9	M5	42
PFIS-20-4	20	56	10	3	8	19	M11-P1	5	3	16	14H	2.3	M5	28
PFIS-20-10	20	68	10	3	20	19	M11-P1	5	3	16	14H	2.3	M5	33
PFIS-20-20	20	88	10	3	40	19	M11-P1	5	3	16	14H	2.3	M5	38
PFIS-20-30	20	108	10	3	60	19	M11-P1	5	3	16	14H	2.3	M5	43
PFIS-25-6	25	71	14	3	13	24	M14-P1.5	5	3	17	17H	3.0	M6	55
PFIS-25-15	25	88	14	3	30	24	M14-P1.5	5	3	17	17H	3.0	M6	60
PFIS-25-30	25	118	14	3	60	24	M14-P1.5	5	3	17	17H	3.0	M6	73
PFIS-25-50	25	158	14	3	100	24	M14-P1.5	5	3	17	17H	3.0	M6	89

PFIS Series



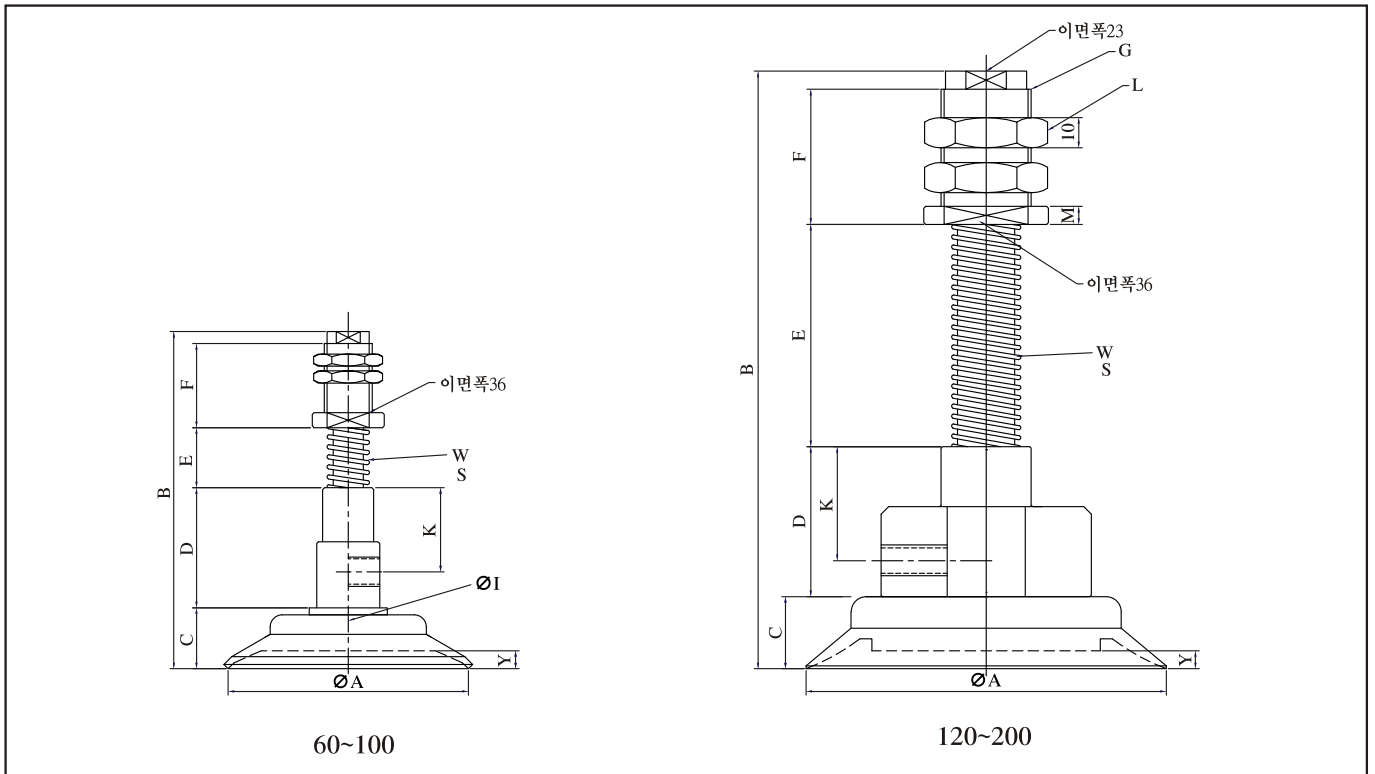
PFIS	A	B	C	D	E	F	G	H	I	J	K	Y	Z	질량(g)
PFIS-30-6	30	69	12	3	13	24	M14-P1.5	5	3	17	17H	2.0	M6	55
PFIS-30-15	30	86	12	3	30	24	M14-P1.5	5	3	17	17H	2.0	M6	61
PFIS-30-30	30	116	12	3	60	24	M14-P1.5	5	3	17	17H	2.0	M6	73
PFIS-30-50	30	156	12	3	100	24	M14-P1.5	5	3	17	17H	2.0	M6	90
PFIS-35-6	35	71	14	3	13	24	M14-P1.5	5	3	17	17H	3.0	M6	55
PFIS-35-15	35	88	14	3	30	24	M14-P1.5	5	3	17	17H	3.0	M6	64
PFIS-35-30	35	118	14	3	60	24	M14-P1.5	5	3	17	17H	3.0	M6	76
PFIS-35-50	35	158	14	3	100	24	M14-P1.5	5	3	17	17H	3.0	M6	93
PFIS-40-6	40	71	14	3	13	24	M14-P1.5	5	3	17	17H	3.5	M6	55
PFIS-40-15	40	88	14	3	30	24	M14-P1.5	5	3	17	17H	3.5	M6	66
PFIS-40-30	40	118	14	3	60	24	M14-P1.5	5	3	17	17H	3.5	M6	79
PFIS-40-50	40	158	14	3	100	24	M14-P1.5	5	3	17	17H	3.5	M6	95
PFIS-50-6	50	72	15	3	13	24	M14-P1.5	5	3	17	17H	4.0	M6	85
PFIS-50-15	50	89	15	3	30	24	M14-P1.5	5	3	17	17H	4.0	M6	75
PFIS-50-30	50	119	15	3	60	24	M14-P1.5	5	3	17	17H	4.0	M6	87
PFIS-50-50	50	159	15	3	100	24	M14-P1.5	5	3	17	17H	4.0	M 6	103
PFIS-60-10	60	110.5	18.5	19	20	28	M16-P1.5	7	4.5	25	21H	5.0	M10-P1.25	172
PFIS-60-30	60	150.5	18.5	19	60	28	M16-P1.5	7	4.5	25	21H	5.0	M10-P1.25	196
PFIS-60-50	60	190.5	18.5	19	100	28	M16-P1.5	7	4.5	25	21H	5.0	M10-P1.25	214
PFIS-60-70	60	230	18.5	19	140	28	M16-P1.5	7	4.5	25	21H	5.0	M10-P1.25	235
PFIS-80-10	80	112.5	20.5	19	20	28	M16-P1.5	7	4.5	25	21H	6.0	M10-P1.25	208
PFIS-80-30	80	152.5	20.5	19	60	28	M16-P1.5	7	4.5	25	21H	6.0	M10-P1.25	233
PFIS-80-50	80	192.5	20.5	19	100	28	M16-P1.5	7	4.5	25	21H	6.0	M10-P1.25	250
PFIS-80-70	80	232.5	20.5	19	140	28	M16-P1.5	7	4.5	25	21H	6.0	M10-P1.25	275
PFIS-100-10	100	113	21	19	20	28	M16-P1.5	7	4.5	25	21H	6.0	M10-P1.25	241
PFIS-100-30	100	153	21	19	60	28	M16-P1.5	7	4.5	25	21H	6.0	M10-P1.25	265
PFIS-100-50	100	193	21	19	100	28	M16-P1.5	7	4.5	25	21H	6.0	M10-P1.25	283
PFIS-100-70	100	233	21	19	140	28	M16-P1.5	7	4.5	25	21H	6.0	M10-P1.25	307

PFLS Series



PFLS	A	B	C	D	E	F	G	H	I	J	K	Y	Z	질량(g)
PFLS-5-3	5	51	6.5	22.5	6	13	M9-P1	5	3	21	13	0.8		28
PFLS-5-10	5	65	6.5	22.5	20	13	M9-P1	5	3	21	13	0.8		31
PFLS-5-15	5	75	6.5	22.5	30	13	M9-P1	5	3	21	13	0.8		33
PFLS-5-25	5	95	6.5	22.5	50	13	M9-P1	5	3	21	13	0.8		38
PFLS-6-3	6	51	6.5	22.5	6	13	M9-P1	5	3	21	13	0.8		28
PFLS-6-10	6	65	6.5	22.5	20	13	M9-P1	5	3	21	13	0.8		31
PFLS-6-15	6	75	6.5	22.5	30	13	M9-P1	5	3	21	13	0.8		33
PFLS-6-25	6	95	6.5	22.5	50	13	M9-P1	5	3	21	13	0.8		38
PFLS-8-3	8	51.5	7	22.5	6	13	M9-P1	5	3	21	13	1.2		28
PFLS-8-10	8	65.5	7	22.5	20	13	M9-P1	5	3	21	13	1.2		31
PFLS-8-15	8	75.5	7	22.5	30	13	M9-P1	5	3	21	13	1.2		33
PFLS-8-25	8	95.5	7	22.5	50	13	M9-P1	5	3	21	13	1.2		38
PFLS-10-4	10	60	7.5	22.5	8	19	M11-P1	5	3	21	13	1.5		43
PFLS-10-10	10	72	7.5	22.5	20	19	M11-P1	5	3	21	13	1.5		48
PFLS-10-15	10	92	7.5	22.5	40	19	M11-P1	5	3	21	13	1.5		55
PFLS-10-30	10	112	7.5	22.5	60	19	M11-P1	5	3	21	13	1.5		62
PFLS-15-4	15	60	8	22	8	19	M11-P1	5	3	21	14	1.9	M5	44
PFLS-15-10	15	72	8	22	20	19	M11-P1	5	3	21	14	1.9	M5	48
PFLS-15-20	15	92	8	22	40	19	M11-P1	5	3	21	14	1.9	M5	55
PFLS-15-30	15	112	8	22	60	19	M11-P1	5	3	21	14	1.9	M5	63
PFLS-20-4	20	62	10	22	8	19	M11-P1	5	3	21	14	2.3	M5	48
PFLS-20-10	20	74	10	22	20	19	M11-P1	5	3	21	14	2.3	M5	80
PFLS-20-20	20	94	10	22	40	19	M11-P1	5	3	21	14	2.3	M5	57
PFLS-20-30	20	114	10	22	60	19	M11-P1	5	3	21	14	2.3	M5	64
PFLS-25-6	25	87	14	32	13	24	M14-P1.5	5	3	23	20	3.0	M6	93
PFLS-25-15	25	104	14	32	30	24	M14-P1.5	5	3	23	20	3.0	M6	102
PFLS-25-30	25	134	14	32	60	24	M14-P1.5	5	3	23	20	3.0	M6	120
PFLS-25-50	25	174	14	32	100	24	M14-P1.5	5	3	23	20	3.0	M6	143
PFLS-30-6	30	85	12	32	13	24	M14-P1.5	5	3	23	20	2.0	M6	93
PFLS-30-15	30	102	12	32	30	24	M14-P1.5	5	3	23	20	2.0	M6	103
PFLS-30-30	30	132	12	32	60	24	M14-P1.5	5	3	23	20	2.0	M6	120
PFLS-30-50	30	172	12	32	100	24	M14-P1.5	5	3	23	20	2.0	M6	145

PFLS Series



PFLS	A	B	C	D	E	F	G	H	I	J	K	Y	Z	질량(g)
PFLS-35-6	35	87	14	32	13	24	M14-P1.5	5	3	23	20	3.0	M6	96
PFLS-35-15	35	104	14	32	30	24	M14-P1.5	5	3	23	20	3.0	M6	105
PFLS-35-30	35	134	14	32	60	24	M14-P1.5	5	3	23	20	3.0	M6	123
PFLS-35-50	35	174	14	32	100	24	M14-P1.5	5	3	23	20	3.0	M6	147
PFLS-40	40	87	14	32	30	24	M14-P1.5	5	3	23	20	3.5	M6	99
PFLS-40-15	40	104	14	32	30	24	M14-P1.5	5	3	23	20	3.5	M6	108
PFLS-40-30	40	134	14	32	60	24	M14-P1.5	5	3	23	20	3.5	M6	126
PFLS-40-50	40	174	14	32	100	24	M14-P1.5	5	3	23	20	3.5	M6	149
PFLS-50-6	50	88	15	32	13	24	M14-P1.5	5	3	23	20	4.0	M8	103
PFLS-50-15	50	105	15	32	30	24	M14-P1.5	5	3	23	20	4.0	M8	112
PFLS-50-30	50	135	15	32	60	24	M14-P1.5	5	3	23	20	4.0	M8	130
PFLS-50-50	50	175	15	32	100	24	M14-P1.5	5	3	23	20	4.0	M8	154
PFLS-60-10	60	110.5	18.5	40	20	28	M16-P1.5	Rcl/8	5	/	28	5.0	M10-P1.25	211
PFLS-60-30	60	150.5	18.5	40	60	28	M16-P1.5	Rcl/8	5	/	28	5.0	M10-P1.25	187
PFLS-60-50	60	190.5	18.5	40	100	28	M16-P1.5	Rcl/8	5	/	28	5.0	M10-P1.25	217
PFLS-60-70	60	230	18.5	40	140	25	M16-P1.5	Rcl/8	5	/	28	5.0	M10-P1.25	245
PFLS-80-10	80	112.5	20.5	40	20	28	M16-P1.5	Rcl/8	5	/	28	6.0	M10-P1.25	248
PFLS-80-30	80	152.5	20.5	40	60	28	M16-P1.5	Rcl/8	5	/	28	6.0	M10-P1.25	223
PFLS-80-50	80	192.5	20.5	40	100	28	M16-P1.5	Rcl/8	5	/	28	6.0	M10-P1.25	253
PFLS-80-70	80	232.5	20.5	40	140	28	M16-P1.5	Rcl/8	5	/	28	6.0	M10-P1.25	280
PFLS-100-10	100	113	21	40	20	28	M16-P1.5	Rcl/8	5	/	28	6.0	M10-P1.25	280
PFLS-100-30	100	153	21	40	60	28	M16-P1.5	Rcl/8	5	/	28	6.0	M10-P1.25	255
PFLS-100-50	100	193	21	40	100	28	M16-P1.5	Rcl/8	5	/	28	6.0	M10-P1.25	286
PFLS-100-70	100	233	21	40	140	28	M16-P1.5	Rcl/8	5	/	28	6.0	M10-P1.25	315
PFLS-120-40	120	203.5	25.5	50	75	45	M30-P1.5	Rcl/8(1/4)	/	/	38	6.0	4-M8	1240
PFLS-150-40	150	210.5	32.5	50	75	45	M30-P1.5	Rcl/8(1/4)	/	/	38	9	4-M8	1480
PFLS-200-40	200	215.5	37.5	50	75	45	M30-P1.5	Rcl/8(1/4)	/	/	38	13.0	4-M8	1800